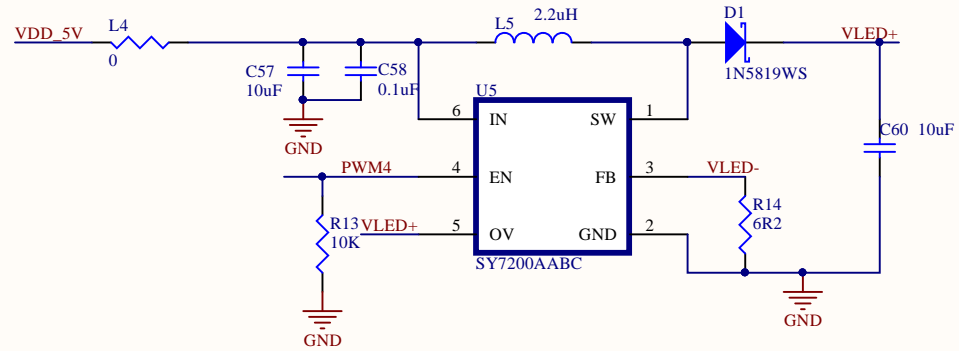
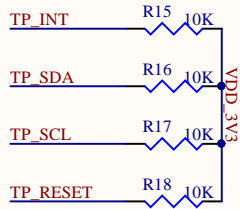
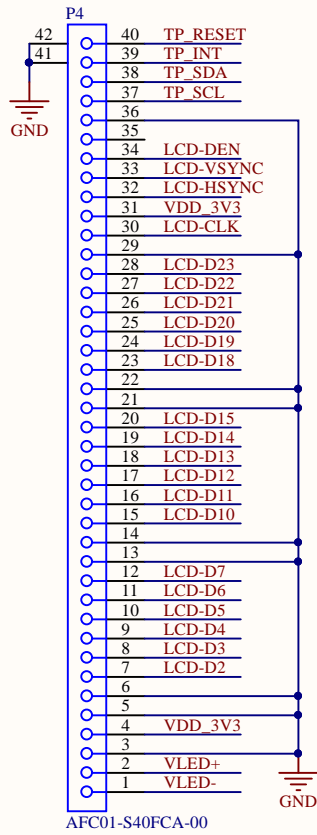
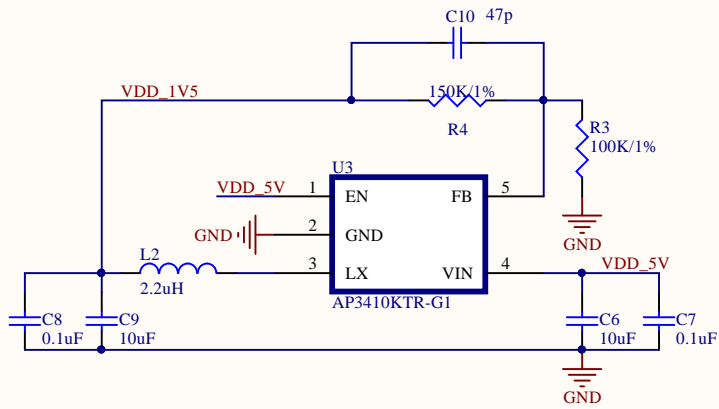
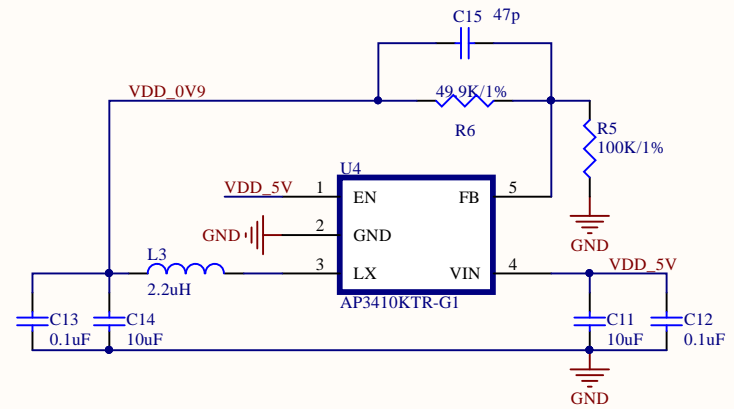
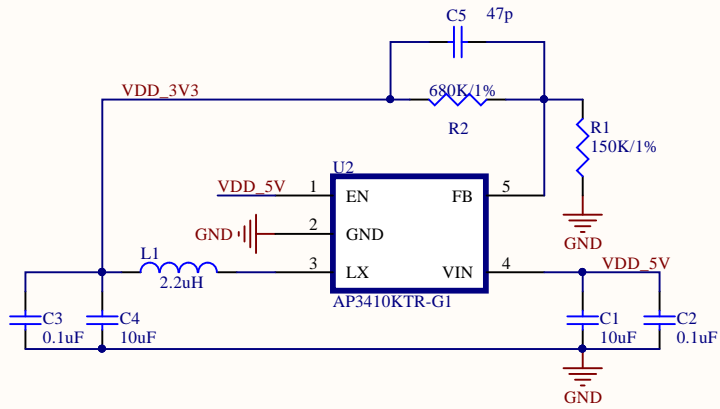


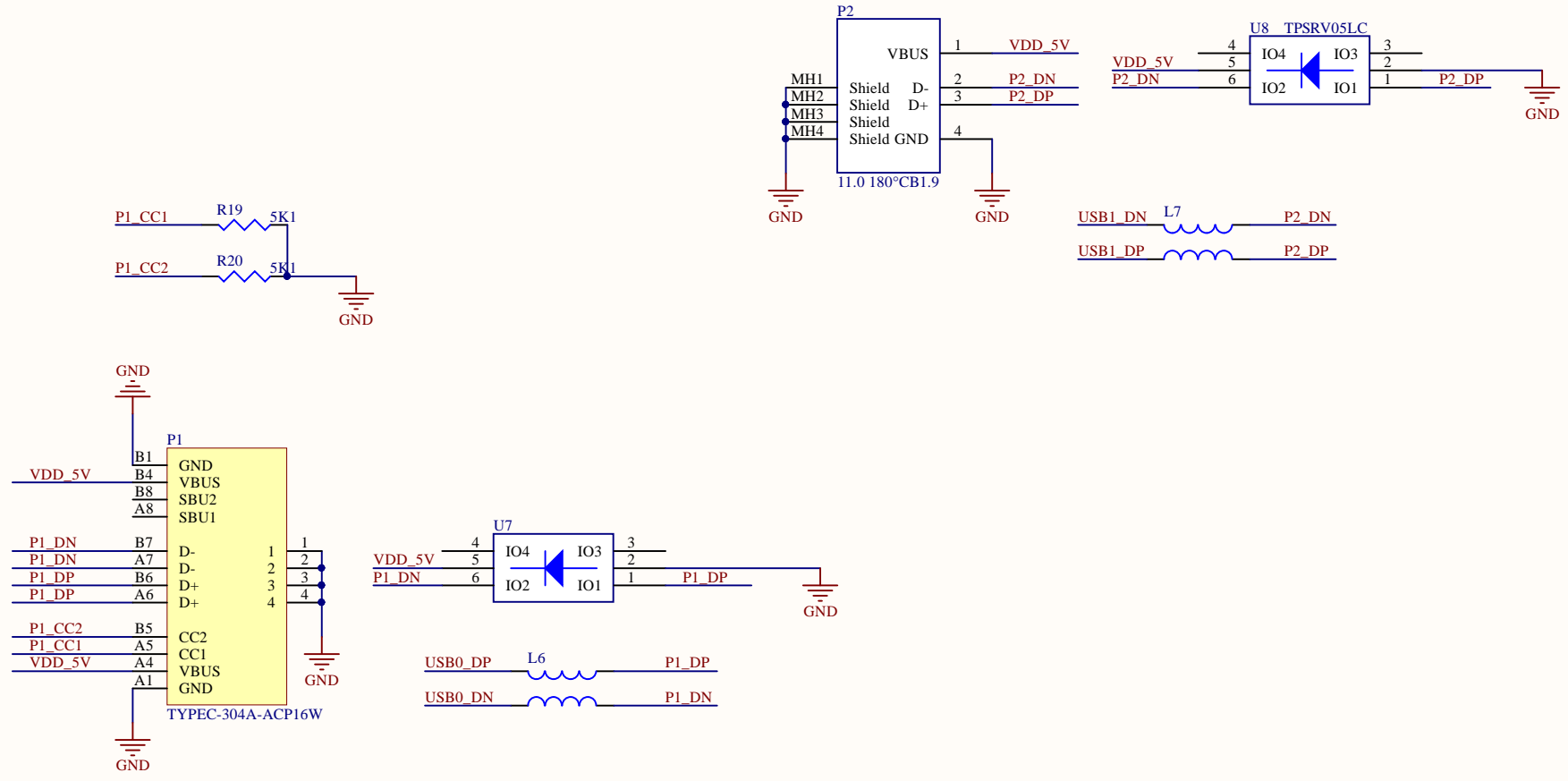
Title		
Size	Number	Revision
A4		
Date:	2025/10/9	Sheet of
File:	E:\Products\5s\maple-revA\audio.SchDoc Drawn By:	



Title		
Size A4	Number	Revision
Date: 2025/10/9	Sheet of	
File: E:\Products\5s\maple-revA\lcd.SchDoc	Drawn By:	



Title		
Size A4	Number	Revision
Date: 2025/10/9	Sheet of	
File: E:\Products\5s\maple-revA\power.SchDoc Drawn By:		



Title		
Size A4	Number	Revision
Date: 2025/10/9	Sheet of	
File: E:\Products\5s\maple-revA\usb.SchDoc	Drawn By:	